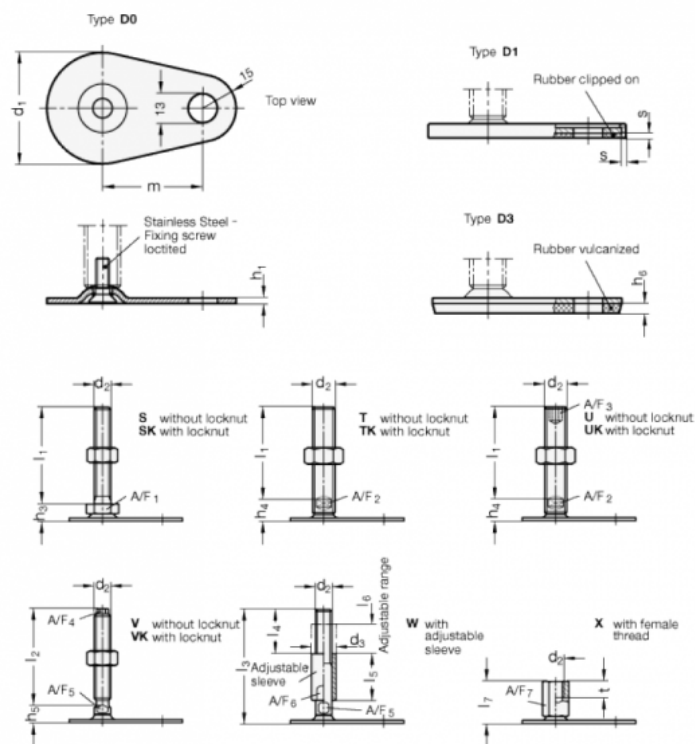


Article number: 204380M10100D0SK

Description: E+G levelling foot
GN 43-80-M10-100-D0-SK

Note: SK With nut, External hexagon at the bottom

Measures



A/F1 = 17

d1 = 80

d2 = M10

h1 = 3

h3 = 12

h6 =

l1 = 100

m = 70

s =